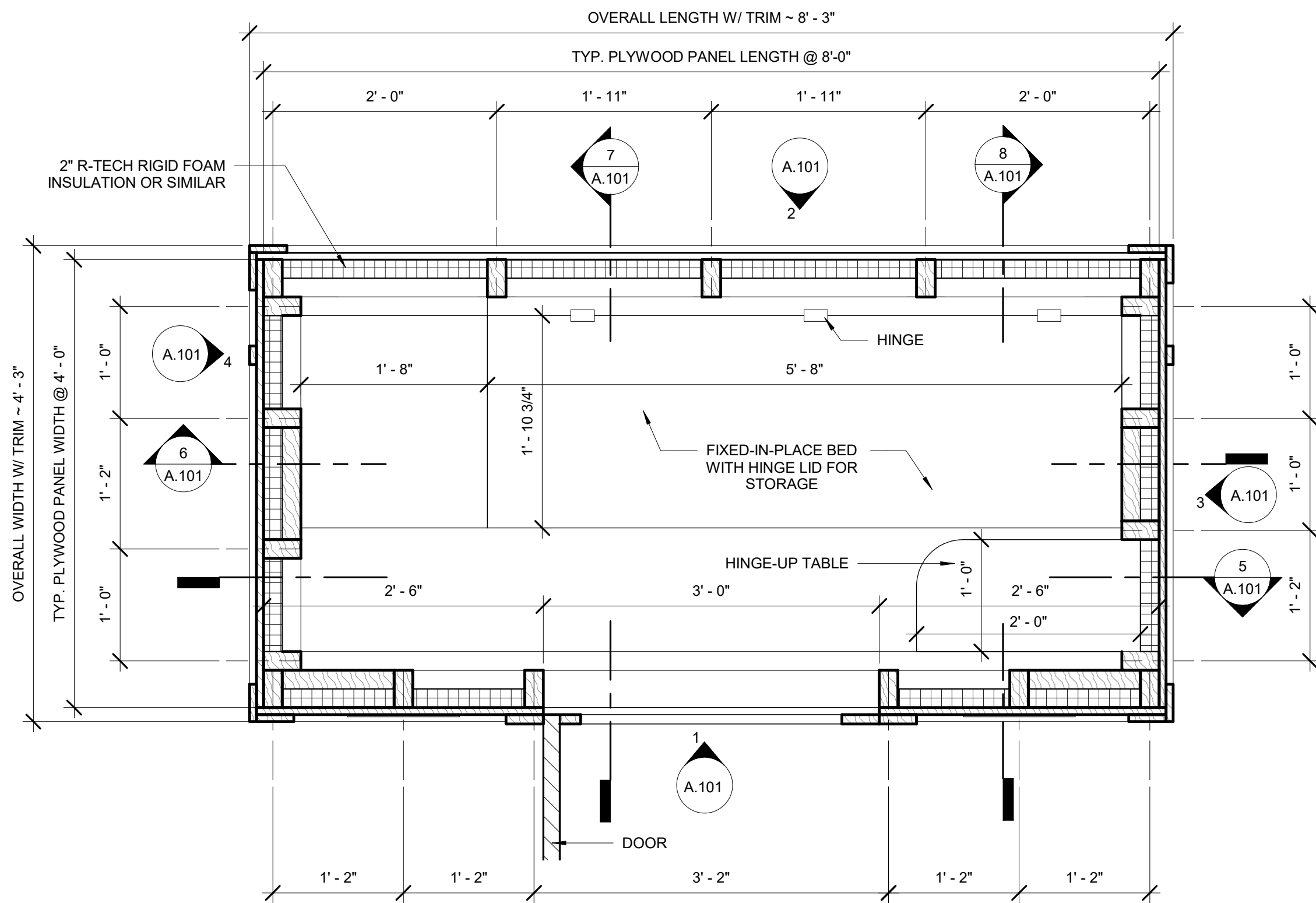


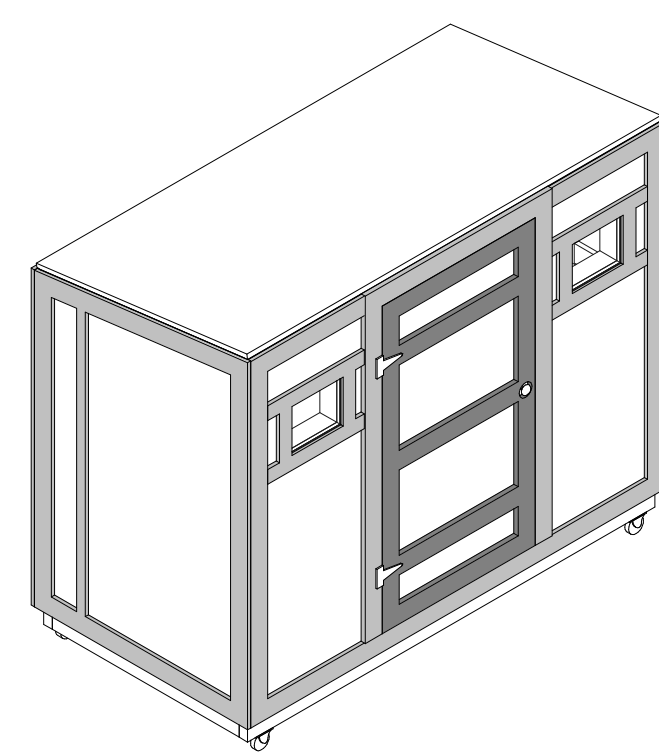
2 ROOF PLAN
1" = 1'-0"



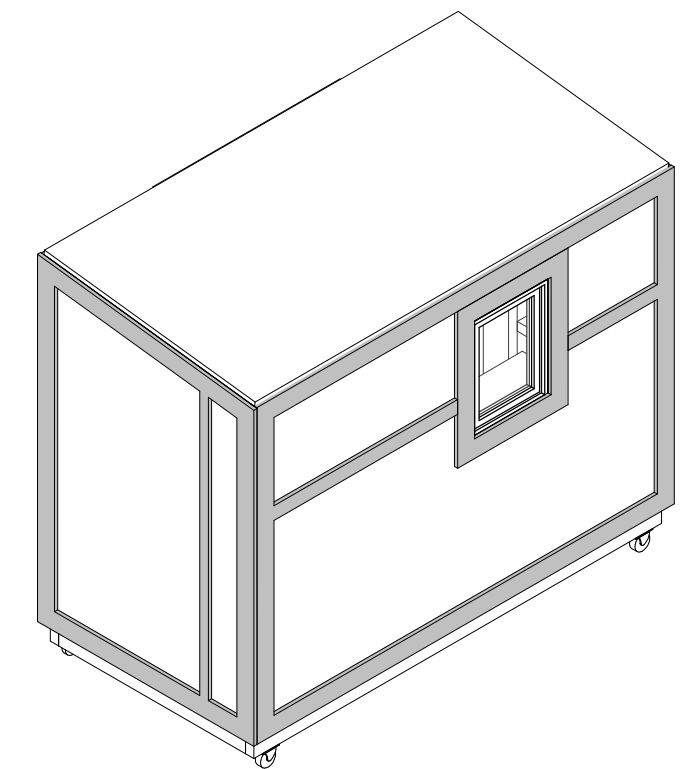
1 SITE LOCATION
1" = 1'-0"



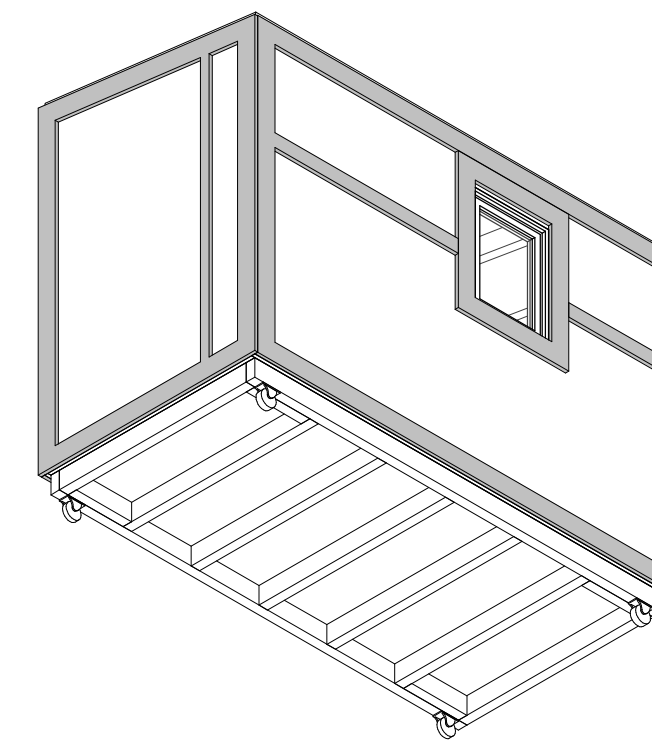
3 FLOOR PLAN
1" = 1'-0"



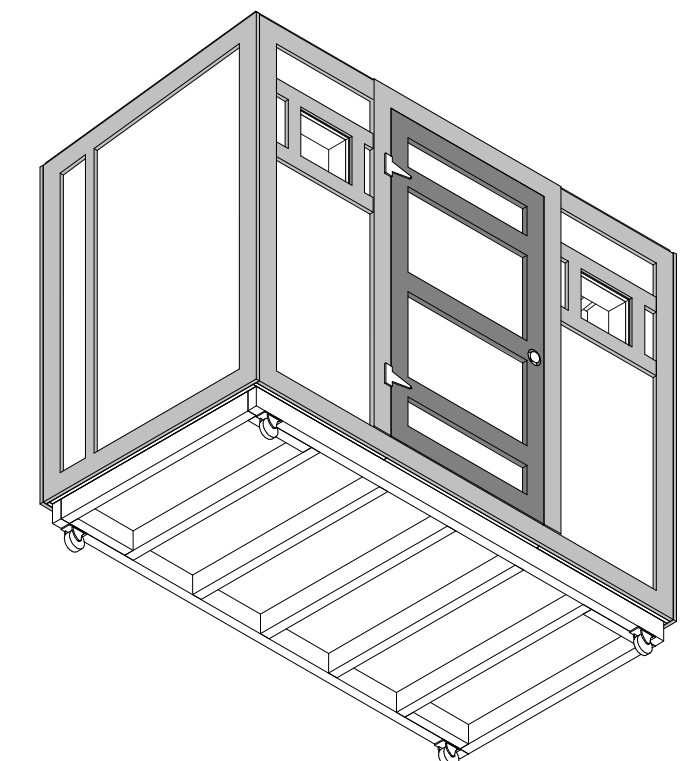
4 3D TOPSIDE



5 3D TOPSIDE



6 3D UNDERSIDE



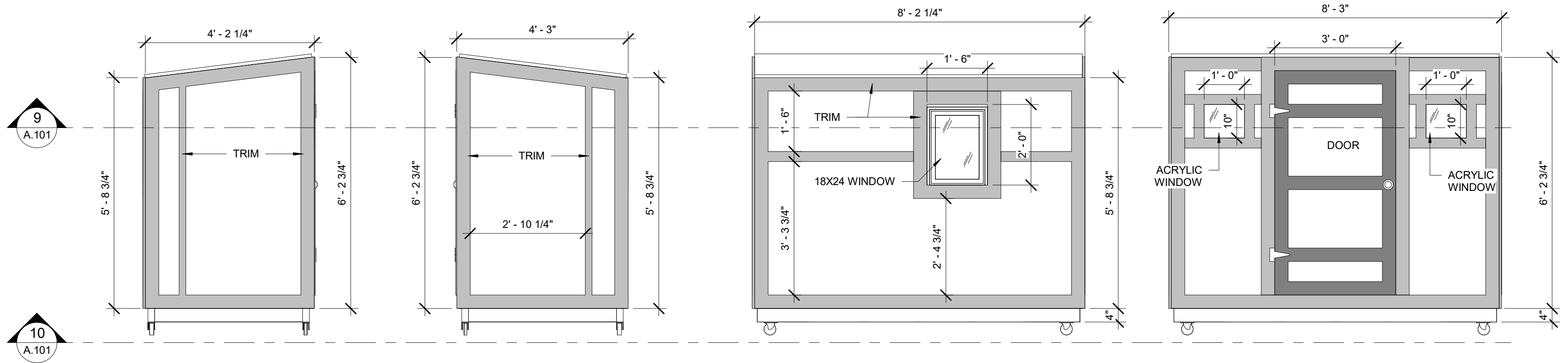
7 3D UNDERSIDE

IN ASSOCIATION WITH:
HOUSE OF PRAYER FOR ALL NATIONS
4631 N. BROADWAY ST., CHICAGO, IL 60640

TINY HOUSE PROJECT
6133 S LAFLIN ST., CHICAGO, ILLINOIS

SHEET TITLE:
TINY HOUSE SITE, PLANS, AND 3D VIEW

SHEET:
A.100

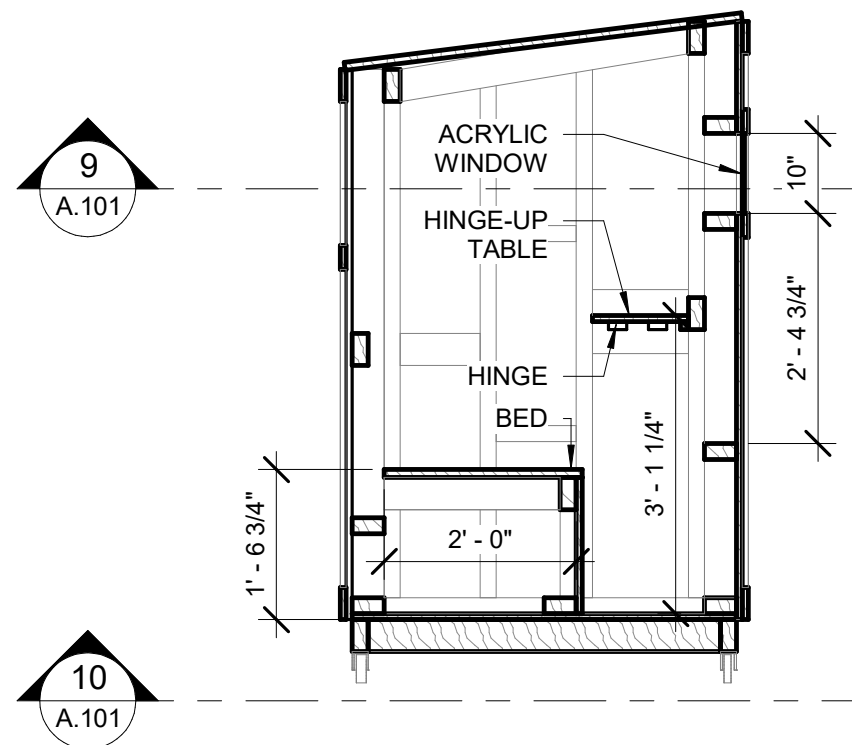


4 LEFT ELEVATION
1/2" = 1'-0"

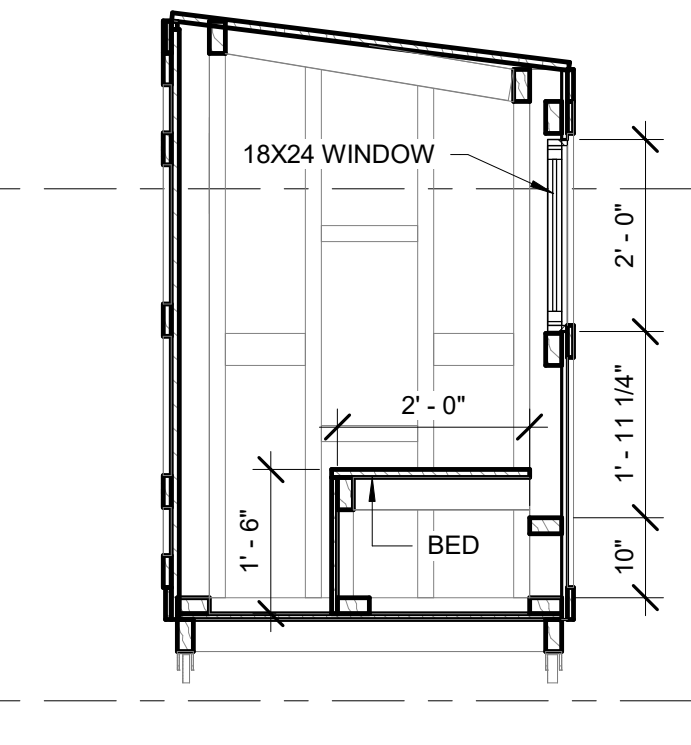
3 RIGHT ELEVATION
1/2" = 1'-0"

2 BACK ELEVATION
1/2" = 1'-0"

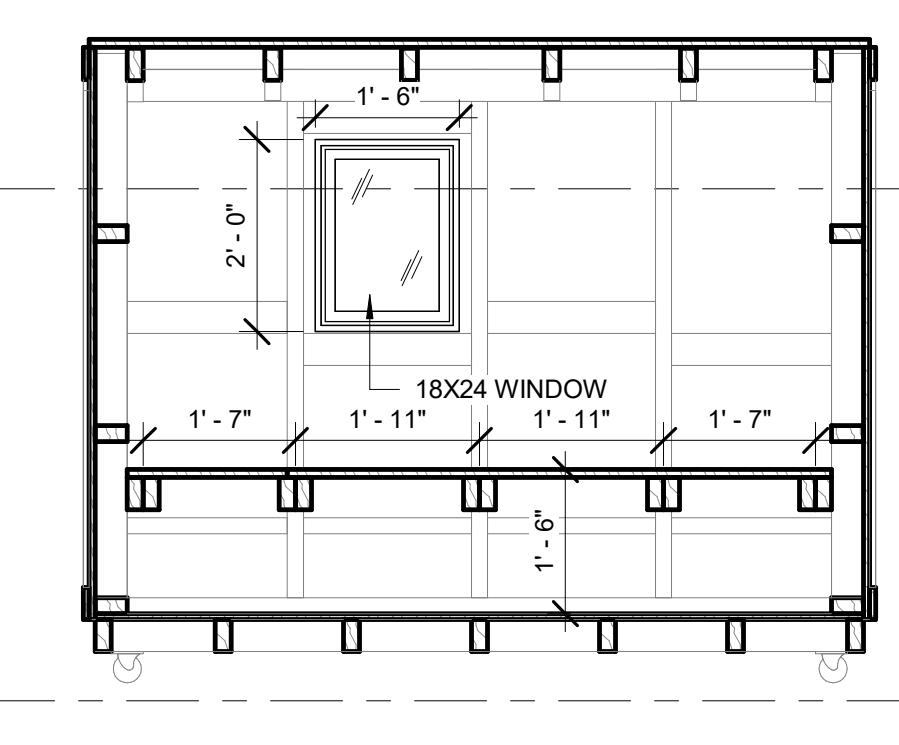
1 FRONT ELEVATION
1/2" = 1'-0"



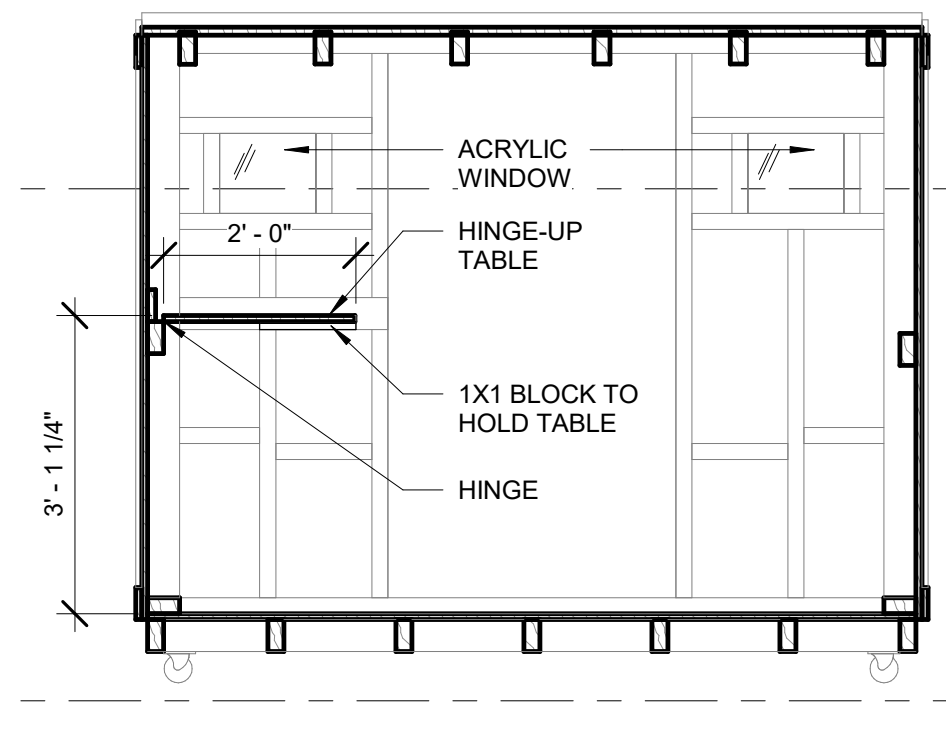
8 SECTION
1/2" = 1'-0"



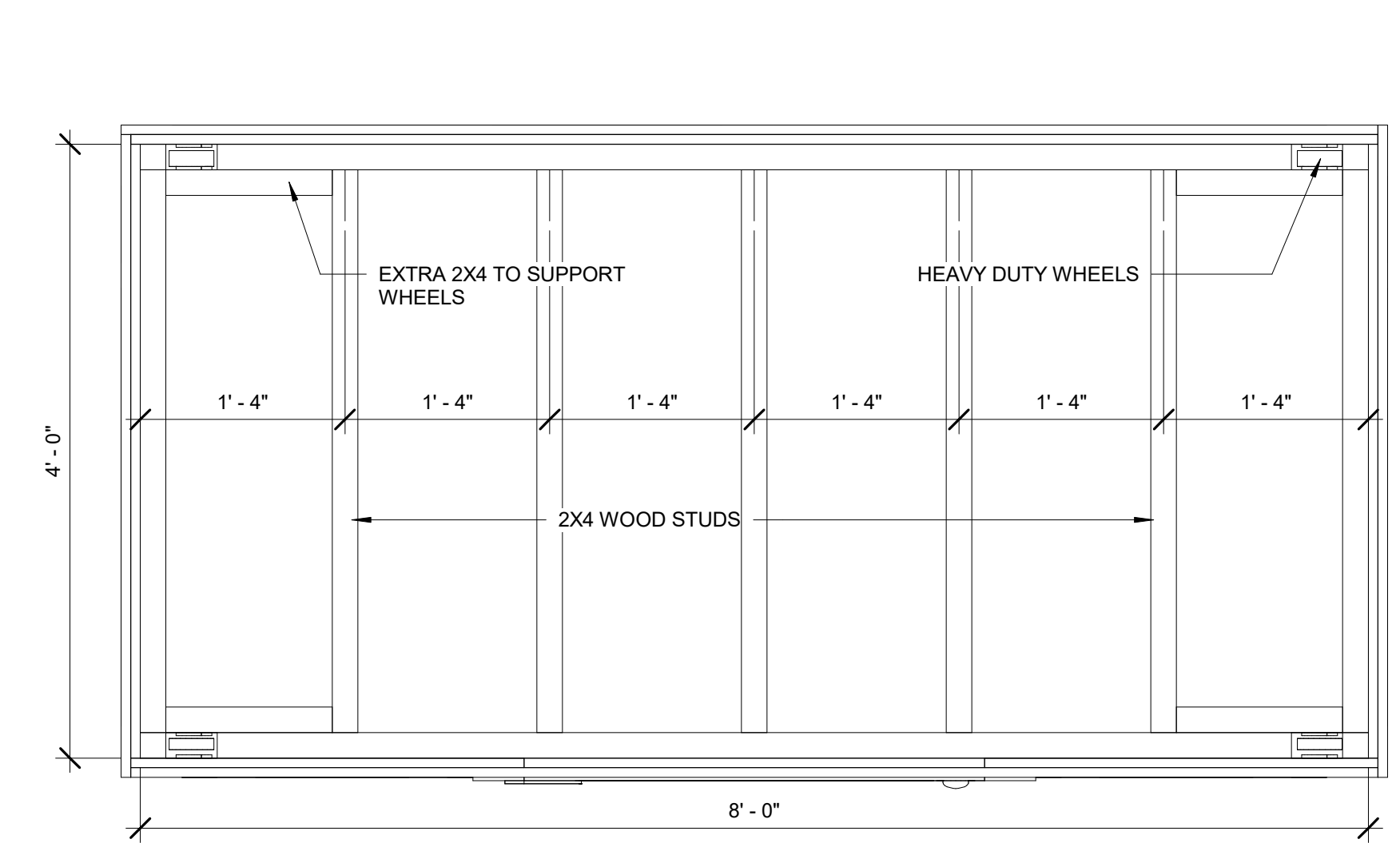
7 SECTION
1/2" = 1'-0"



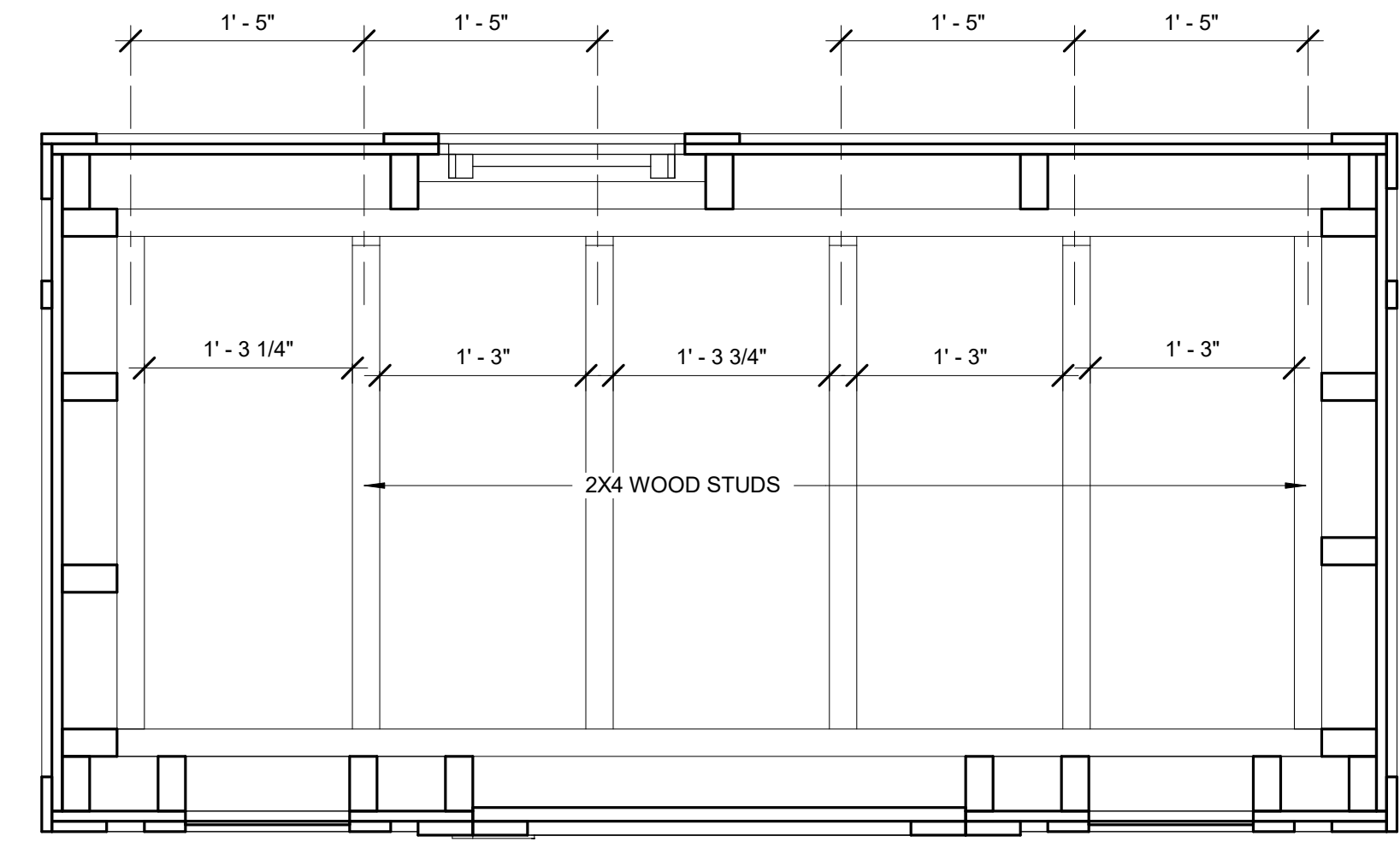
6 SECTION
1/2" = 1'-0"



5 SECTION
1/2" = 1'-0"



10 UNDERSIDE OF FLOOR VIEW
1" = 1'-0"



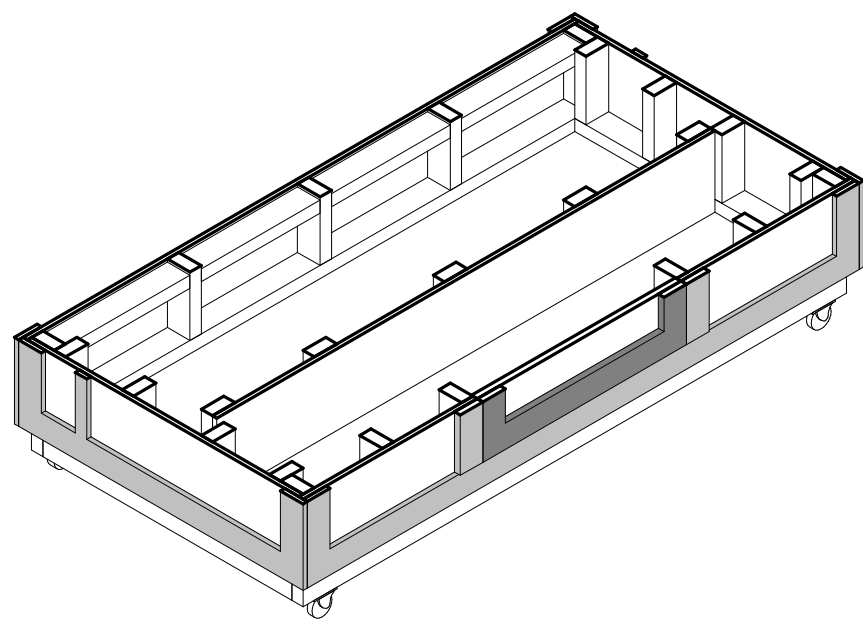
9 UNDERSIDE OF ROOF VIEW
1" = 1'-0"

IN ASSOCIATION WITH:
HOUSE OF PRAYER FOR ALL NATIONS
4631 N. BROADWAY ST., CHICAGO, IL 60640

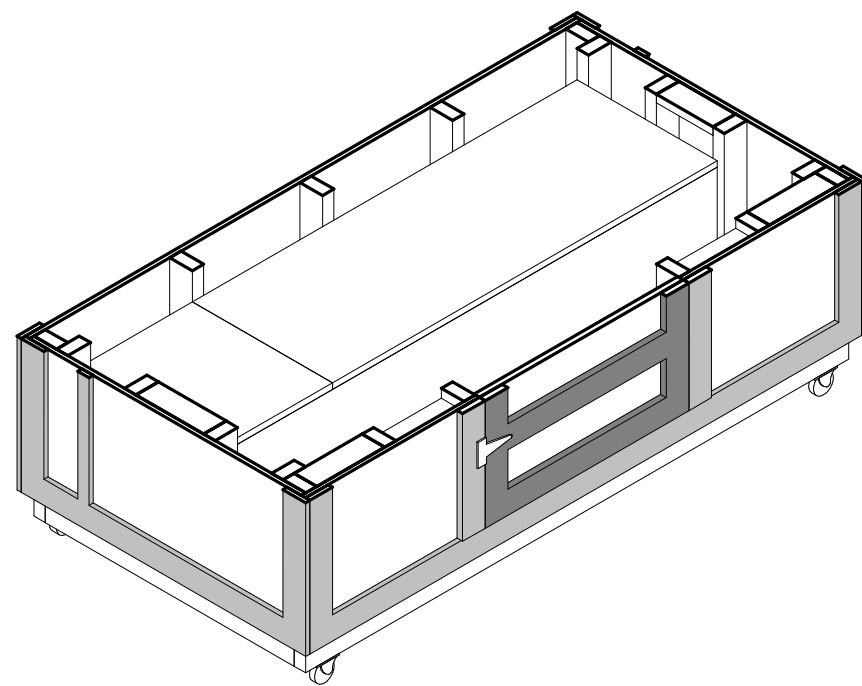
TINY HOUSE PROJECT
6133 S LAFLIN ST., CHICAGO, ILLINOIS

SHEET TITLE:
ELEVATIONS AND SECTIONS

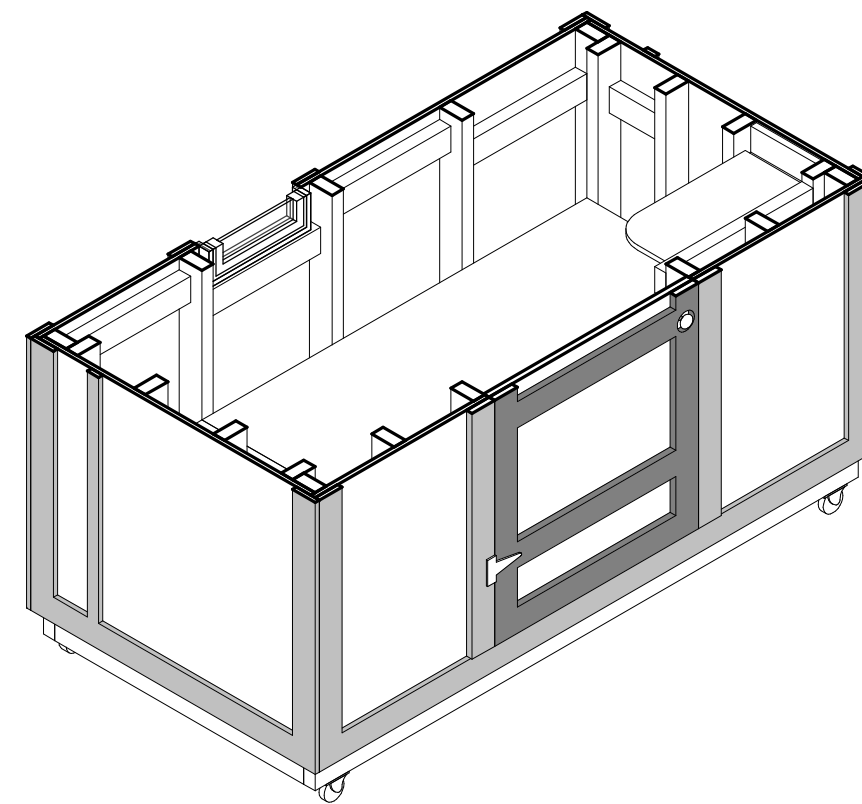
SHEET:
A.101



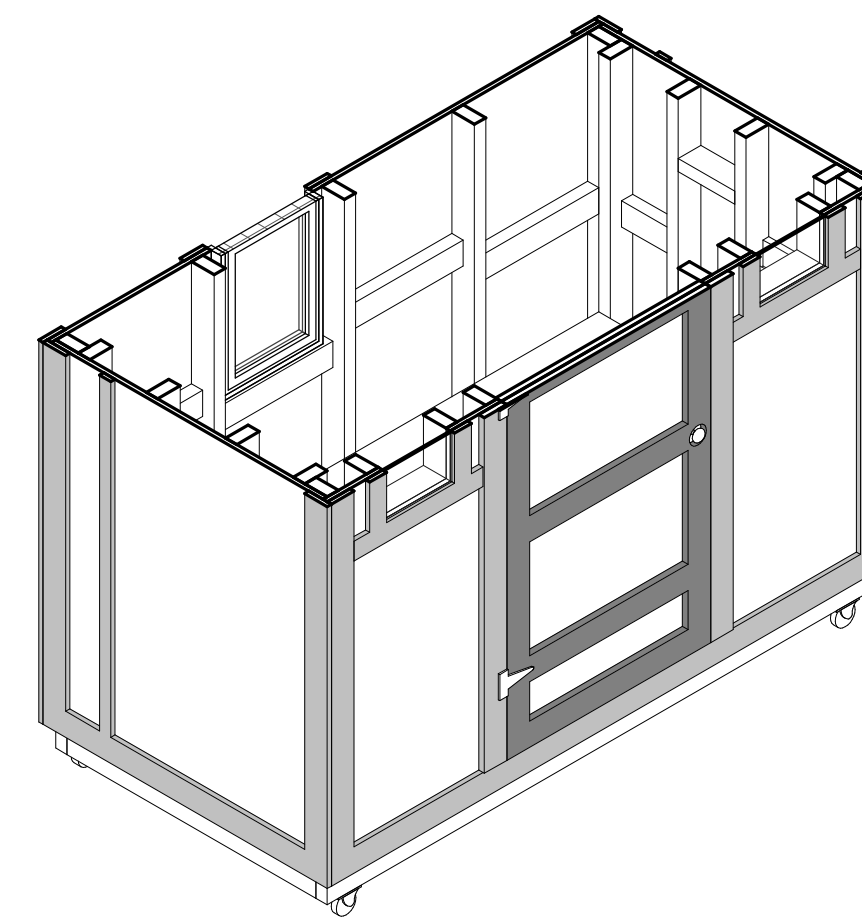
4 TOP/DOWN SECTION



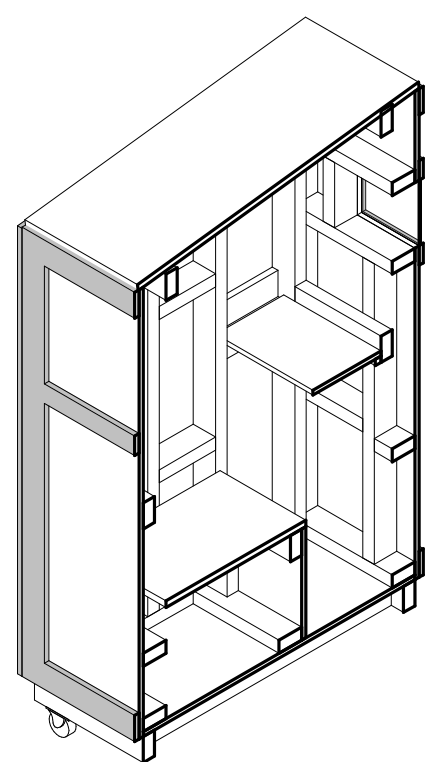
3 TOP/DOWN SECTION



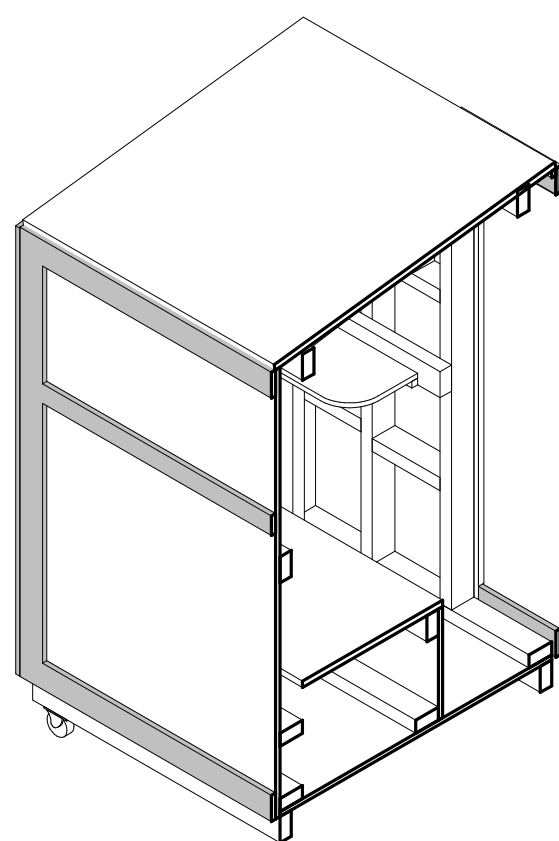
2 TOP/DOWN SECTION



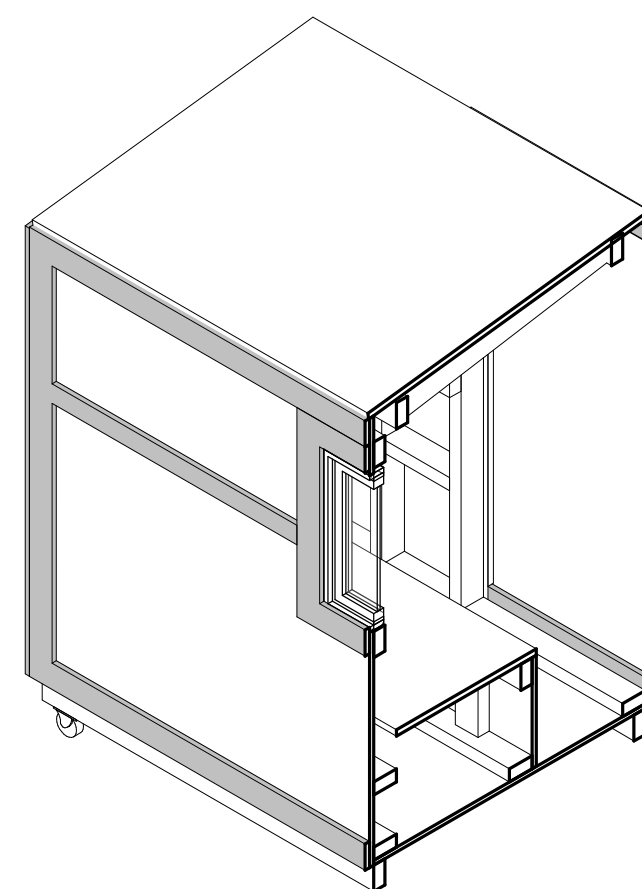
1 TOP/DOWN SECTION



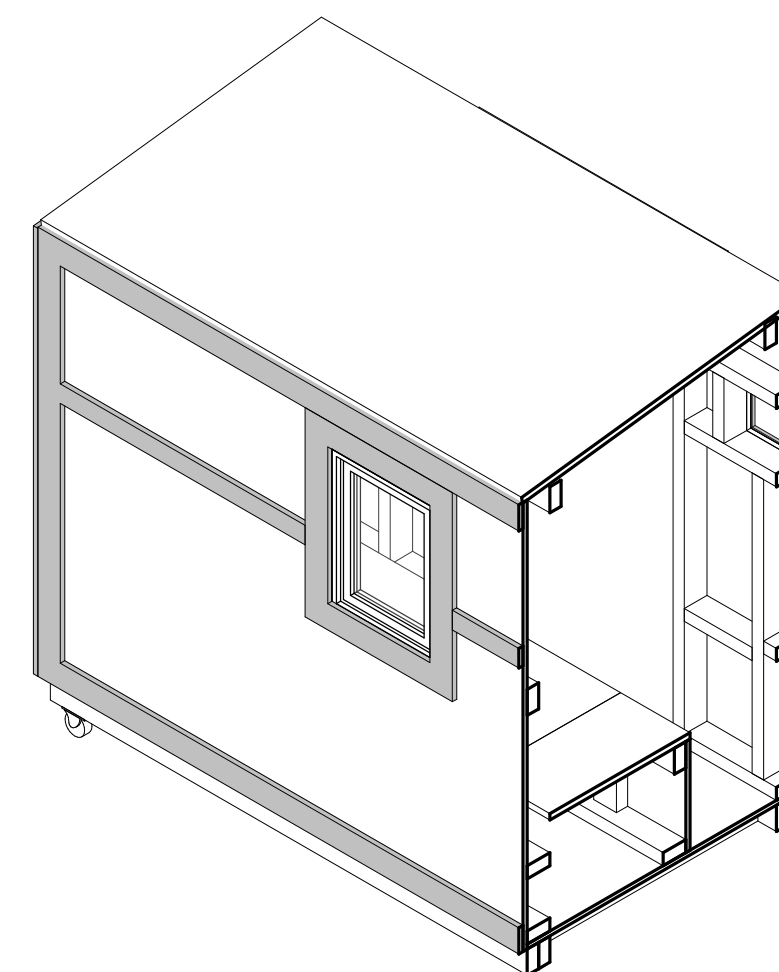
8 RIGHT/LEFT SECTION



7 RIGHT/LEFT SECTION



6 RIGHT/LEFT SECTION



5 RIGHT/LEFT SECTION

IN ASSOCIATION WITH:

HOUSE OF PRAYER FOR
ALL NATIONS

4631 N. BROADWAY ST. CHICAGO, IL 60640

TINY HOUSE PROJECT

6133 S LAFIN ST. CHICAGO, ILLINOIS

SHEET TITLE:

TINY HOUSE 3D SECTIONS

SHEET:

A.102